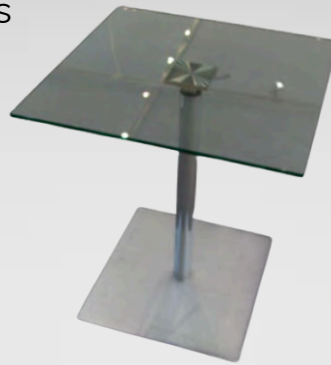


MP-MG Series Ø50

Height adjustment & Non Swiveling

Ø50 Non tapered, for flat bases

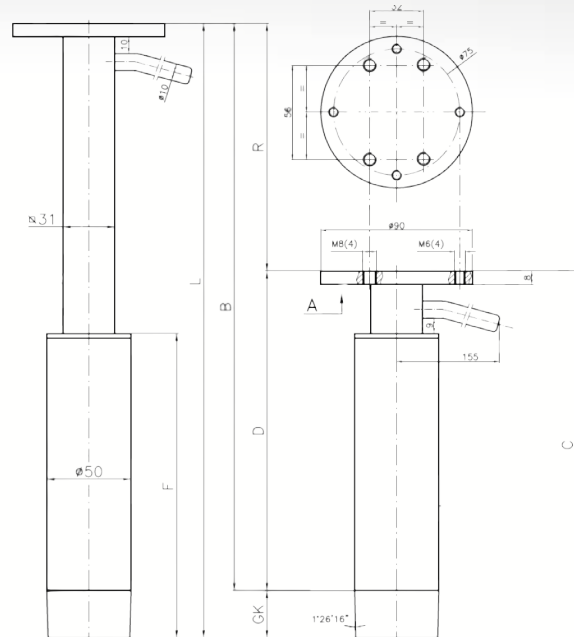
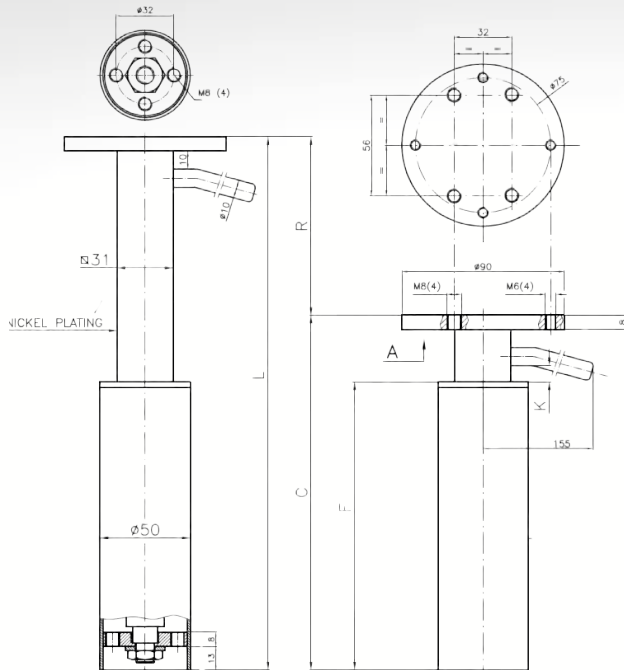
Rigid blocking. No damping



MP Series Lever activation

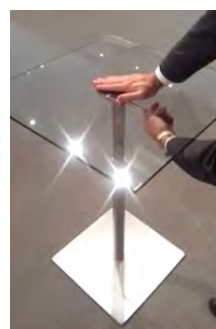
Non-Tapered column,
screw assembly to the base:

Tapered column,
base hole (Ø50 1°26'16'') assembly:



Abain	L	C	R	F
MPL (NW) - F604	1040	641	399	604
MPI (NW) - F443	822	480	342	443
MPC (NW) - F386	719	423	296	386

Abain	L	C	R	B	D	F	GK
MPL (NW) - 5635	1071	672	399	1023	624	635	48
MPC (NW) - 5417	750	454	296	702	406	417	48



MP-MG Series Ø50

Height adjustment & Non Swiveling

Ø50 Non tapered, for flat bases

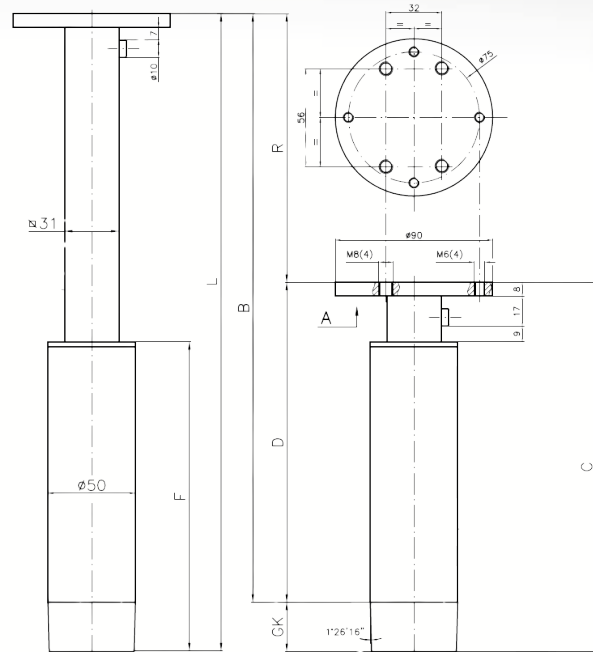
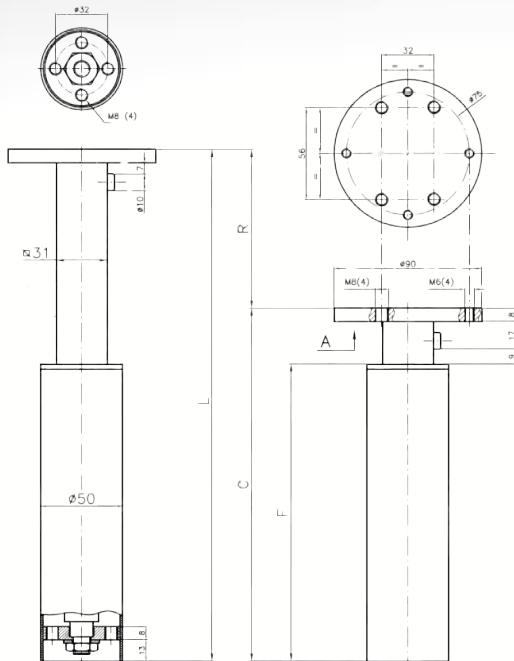
Rigid blocking. No damping



MG Series Table top swiveling activation

Non-Tapered column,
screw assembly to the base:

Tapered column,
base hole (Ø50 1°26'16'') assembly:



Abain	L	C	R	F
MGL (NW) - F604	1037	638	399	604
MGC (NW) - F386	716	420	296	386

Abain	L	C	R	B	D	F	GK
MGL (NW) - 5635	1068	669	399	1020	621	635	48
MGC (NW) - 5417	747	451	296	699	403	417	48

