

PA Series - Ø31

Height adjustment & Non Swiveling

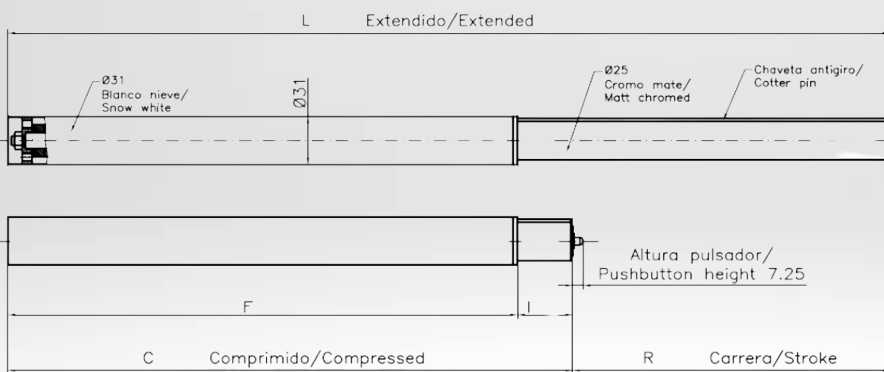
Ø31 Non tapered, for flat bases

Damping feature, means no rigid blocking. If the weight placed is higher to the column strength a damping occurs. That is the reason to be only for auxiliary tables. Same concept as in a chair gas spring. The same damping.

Several finishes are available for outer Ø31 column:

Black, Chromed, several colours

The movable column inside, Ø25 can be supplied in matt chromed or black chromed



Abain	C	L	R	F	I	F1
PA3102-31F314	348	544	196	314	34	60N
PA3108-31F314	348	544	196	314	34	85N
PA3110-31F314	348	544	196	314	34	100N
PA3109-31F314	348	544	196	314	34	115N
PA3111-31F314	348	544	196	314	34	130N
PA3103-31F415	461	678	217	415	44	60N
PA3101-31F415	447	678	231	415	32	60N
PA3104-31F415	447	678	231	415	32	85N
PA3105-31F445	475	708	233	445	30	60N
PA3106-31F445	475	708	233	445	30	85N
PA3107-31F445	475	708	233	445	30	115N

Activation aluminium plates

available

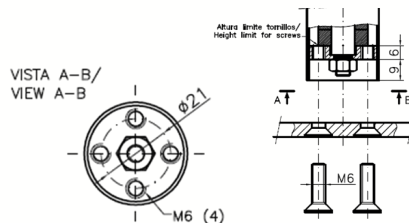
See next page for reference.



The column has a key/keyway system that prevents turning.

The column only regulates in height, the table top does not rotate

Assembly: Ø31 outer tube without cone, for direct assembly to the base with screws



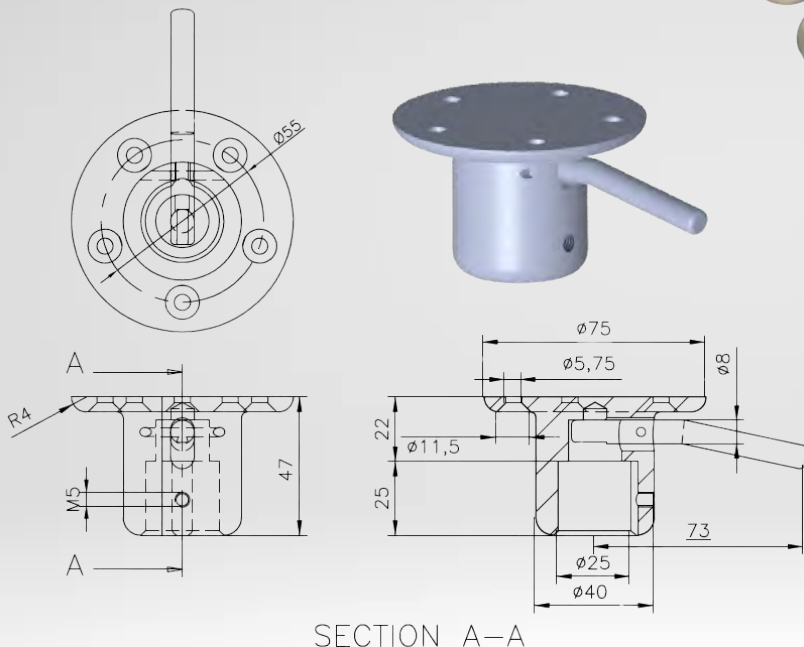
PA Series - Ø31

Activation mechanisms - plates
 Supplied as optional
 for lever activation,
 & for pushbutton activation.



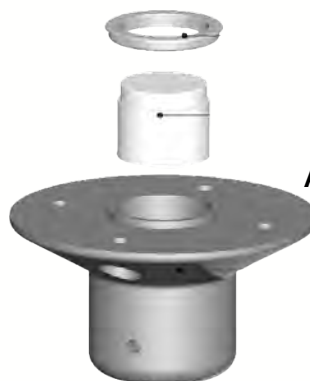
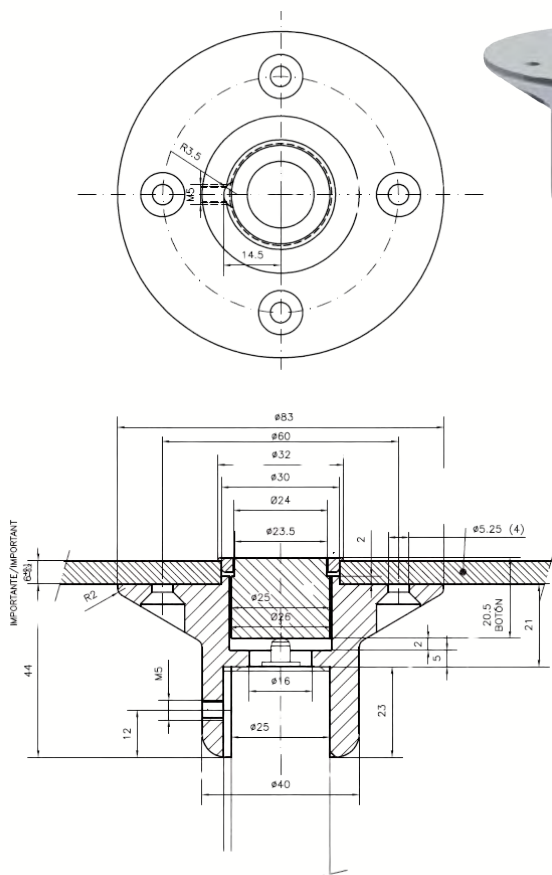
Lever activation aluminium plate

Abain Code: V-CHAP-75-05



Button activation aluminium plate

Can be supplied as a set or separately:
 Only aluminium plate
 Aluminium button
 Aluminium ring



Complete set (3pcs):
Abain V-CHAP-75-1-2-1:
 Only aluminium plate
Abain: COMCHAP-75-01-01
 Aluminium button
*only designed for
 table top of 6mm height.*
Abain: COMCHAP75-1-2-1
 Aluminium ring
Abain: V-CHAP-75-05