

MODELOS CORTOS

Cilindro no regulable en altura

Opciones:

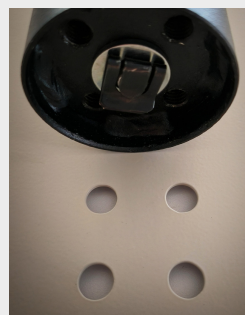
- Giratorio 360° / Revolving autocentrante
- Ø40 / Ø50
- Con cono / sin cono para base plana
- Oculto en la base

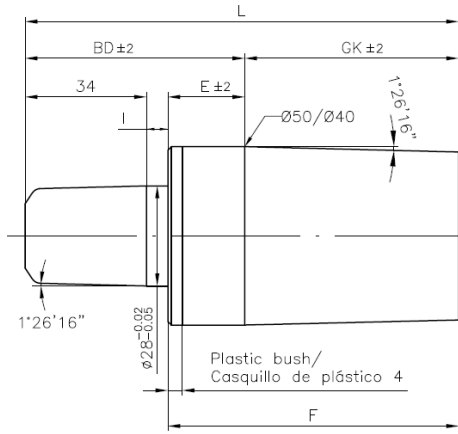
SHORT MODELS

Non height adjustable cylinder, fix height

Options:

- Swiveling 360° / Revolving self centering
- Ø40 / Ø50
- With taper / without taper for flat bases
- Hidden in the base



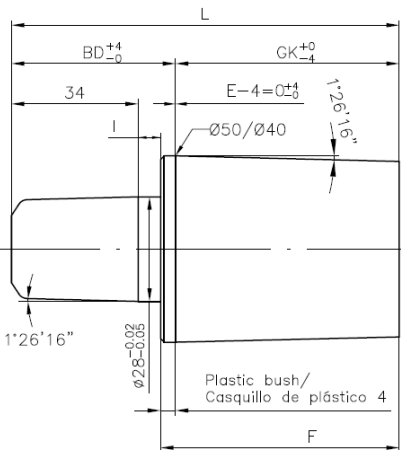


Sólo giratorio - Only swiveling

Ø40 1°26'16''							Ø50 1°26'16''						
Part	L	BD	F	GK	I	E	Part	L	BD	F	GK	I	E
EGC105-3371	104	49	64	55	6	9	EGC105-7571	104	49	64	55	6	9
EGC105-3372	104	56	64	48	6	16	EGC105-7572	104	56	64	48	6	16
EGC125-3373	126	66	86	60	6	26	EGC125-7573	126	66	86	60	6	26
EGC125-3374	126	71	86	55	6	31	EGC125-7574	126	71	86	55	6	31
EGC125-3375	126	78	86	48	6	38	EGC125-7575	126	78	86	48	6	38
EGC136-3376	134	79	94	55	6	39	EGC136-7576	134	79	94	55	6	39
EGC136-3377	134	86	94	48	6	46	EGC136-7577	134	86	94	48	6	46
EGC162-3378	160	90	120	70	6	50	EGC162-7010	160	90	120	70	6	50
EGC162-3379	160	100	120	60	6	60	EGC162-7579	160	100	120	60	6	60
EGC162-3381	160	112	120	48	6	72	EGC162-7504	160	112	120	48	6	72
EGC178-3382	178	123	138	55	6	83	EGC178-5582	171	123	131	48	6	83
EGC178-3383	178	130	138	48	6	90	EGC178-7583	178	130	138	48	6	90
EGC195-3384	195	135	155	60	6	95	EGC195-7584	195	135	155	60	6	95
EGC195-3385	195	140	155	55	6	100	EGC195-5585	188	140	148	48	6	100
EGC195-3386	195	147	155	48	6	107	EGC195-7586	195	147	155	48	6	107
EG220-3387	220	150	181	70	5	111	EG220-7001	220	150	181	70	5	111

Revolving autocentrante - Revolving self centering

Ø40 1°26'16''							Ø50 1°26'16''						
Part	L	BD	F	GK	I	E	Part	L	BD	F	GK	I	E
R125-R3330	125	54	75	71	16	4	R125-R510	125	54	75	71	16	4
R125-R3388	125	65	75	60	16	15	R125-R7506	125	65	75	60	16	15
R125-R3389	125	70	75	55	16	20	R125-R589	125	70	75	55	16	20
R125-R3344	125	77	75	48	16	27	R125-R7509	125	77	75	48	16	27
R034-R3336	135	80	84	55	17	29	R034-R536	135	80	85	55	16	30
R034-R3390	135	87	84	48	17	36	R034-R590	135	87	85	48	16	37
R162-R3391	162	92	112	70	16	42	R162-R7013	162	92	111	70	17	41
R162-R3392	162	102	112	60	16	52	R162-R592	162	102	111	60	17	51
R162-R3393	162	107	112	55	16	57	R162-R593	162	107	111	55	17	56
R162-R3394	162	114	112	48	16	64	R162-R7503	162	114	111	48	17	63
R178-R3395	178	123	128	55	16	73	R178-R595	178	123	128	55	16	73
R178-R3396	178	130	128	48	16	80	R178-R596	178	130	128	48	16	80
R196-R3397	196	136	145	60	17	85	R196-R597	196	136	145	60	17	85
R196-R3398	196	141	145	55	17	90	R196-R598	196	141	145	55	17	90
R196-R3309	196	146	145	50	17	95	R196-R599	196	148	145	48	17	97
R220-R3399	220	150	170	70	16	100	R220-R7000	220	150	171	70	15	101



Tubo oculto en agujero base - Hidden tube in base hole

Sólo giratorio - Only swiveling

Ø40 1°26'16''							Ø50 1°26'16''						
Part	L	BD	F	GK	I	E	Part	L	BD	F	GK	I	E
EGC98-3348	98	41	61	57	3	4	EGC98-7548	98	41	61	57	3	4
EGC105-3370	104	44	64	60	6	4	EGC105-7570	104	44	64	60	6	4

Revolving autocentrante - Revolving self centering

Ø40 1°26'16''							Ø50 1°26'16''						
Part	L	BD	F	GK	I	E	Part	L	BD	F	GK	I	E
R125-R3330	125	54	75	71	16	4	R125-R510	125	54	75	71	16	4

